

DIMENSIONS ARE IN INCHES UNLESS OTHERWISE SPECIFIED
 TOLERANCES:
 FRACTIONAL $\pm 1/64$ "
 ANGULAR: BEND $\pm 0.1\%$
 THREE PLACE DECIMAL $\pm .005$ "

File Location:
 E:\JSI Product\CS-DMX-512\Metal\Rev 2\

MATERIAL
0.080" Alluminum
 FINISH
Cardinal C241-BK303 Black Texture

DO NOT SCALE DRAWING

REV.	NAME	DATE
DRAWN	W.Dippenaar	6/10/2013
CHECKED	S.Johnson	6/10/2013
REV.	01	

THE INFORMATION CONTAINED IN THIS DRAWING IS THE SOLE PROPERTY OF JOHNSON SYSTEMS INC. ANY REPRODUCTION IN PART OR AS A WHOLE WITHOUT THE WRITTEN PERMISSION OF JOHNSON SYSTEMS INC. IS PROHIBITED.

JOHNSON SYSTEMS INC.

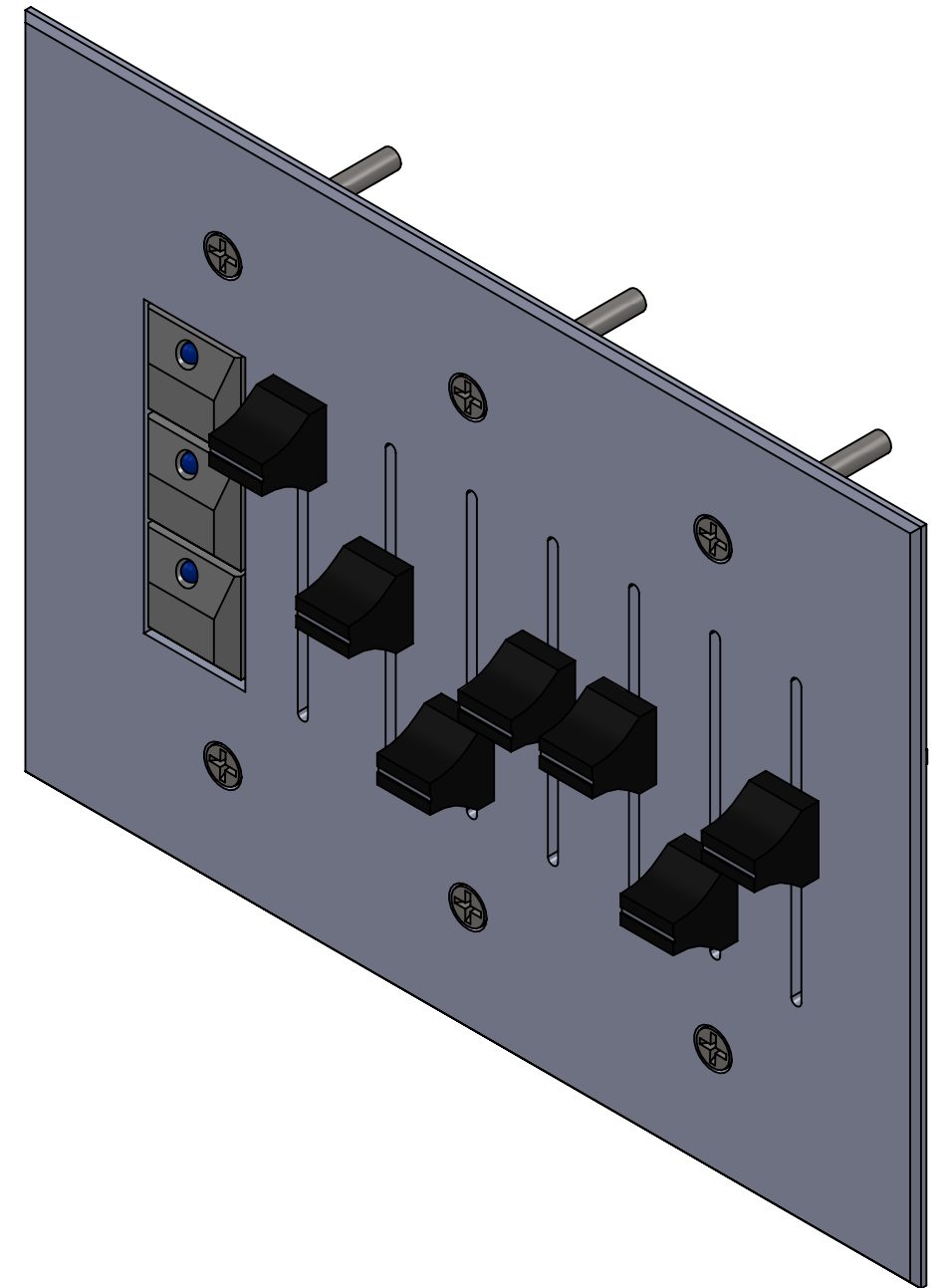
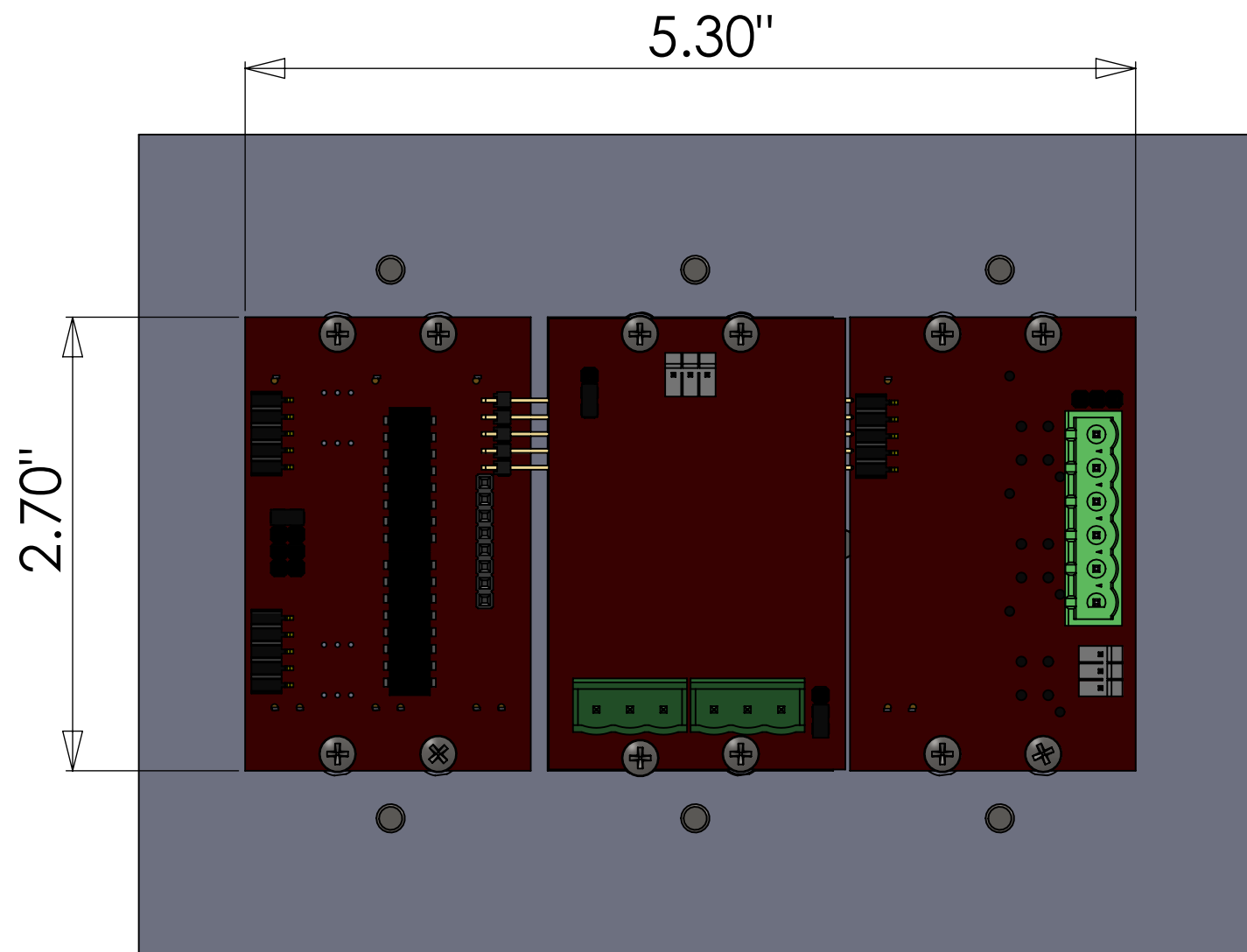
**1923 Highfield Crescent SE.
 Calgary, Alberta
 Canada T2G 5M1
 (403) 287-8003
 (403) 287-9003 Fax**



Part # CS-DMX-6 Complete

Note: -----

SCALE:1:2



DIMENSIONS ARE IN INCHES UNLESS OTHERWISE SPECIFIED
 TOLERANCES:
 FRACTIONAL $\pm 1/64$ "
 ANGULAR: BEND $\pm 01\%$
 THREE PLACE DECIMAL $\pm .005$ "

MATERIAL
0.080" Alluminum
 FINISH
Cardinal C241-BK303 Black Texture

DO NOT SCALE DRAWING

	NAME	DATE
DRAWN	W.Dippenaar	6/10/2013
CHECKED	S.Johnson	6/10/2013
REV.	01	

THE INFORMATION CONTAINED IN THIS DRAWING IS THE SOLE PROPERTY OF JOHNSON SYSTEMS INC. ANY REPRODUCTION IN PART OR AS A WHOLE WITHOUT THE WRITTEN PERMISSION OF JOHNSON SYSTEMS INC. IS PROHIBITED.

JOHNSON SYSTEMS INC.

**1923 Highfield Crescent SE.
 Calgary, Alberta
 Canada T2G 5M1
 (403) 287-8003
 (403) 287-9003 Fax**



Part # CS-DMX-6 Complete
 Note: ---

SCALE:1:2