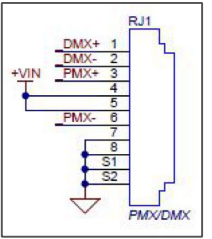
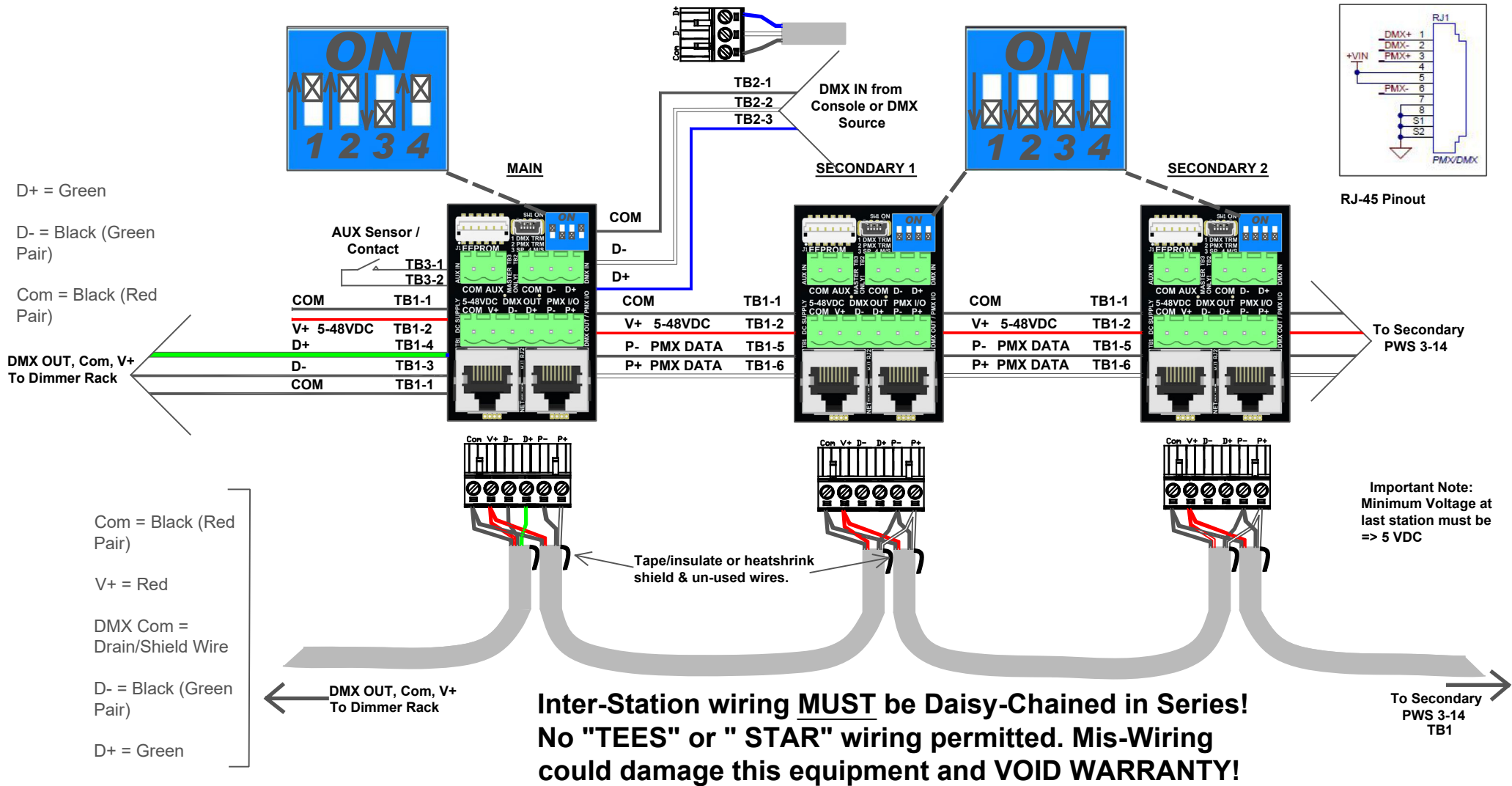


Typical PWS-70P-DMX Wiring and Connection Detail using Belden #9773

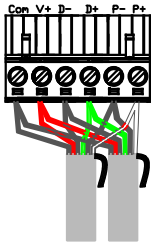


D+ = Green
 D- = Black (Green Pair)
 Com = Black (Red Pair)
 DMX OUT, Com, V+ To Dimmer Rack

Com = Black (Red Pair)
 V+ = Red
 DMX Com = Drain/Shield Wire
 D- = Black (Green Pair)
 D+ = Green

Belden 9773

- Pin 1 : Com Black (Red Pair)
DMX Com (Shield / Drain Wire) Master Station Only!
- Pin 2 : V+ Red
- Pin 3 : D- Black (Green Pair)
- Pin 4 : D+ Green
- Pin 5 : P- Black (White Pair)
- Pin 6 : P+ White



THIS INFORMATION IS THE SOLE PROPERTY OF JOHNSON SYSTEMS INC. ANY DUPLICATION OR CIRCULATION OF THIS INFORMATION IN WHOLE OR IN PART, IS STRICTLY PROHIBITED WITHOUT THE EXPRESSED WRITTEN CONSENT OF JOHNSON SYSTEMS INC.	UNLESS OTHERWISE SPECIFIED DIMENSIONS ARE IN INCHES.
	TOLERANCES ARE: FRACTIONS DECIMALS ANGLES 1/64" .005" 01%
	Revision # 2.0 PART # PWS-70P-DMX I/O WIRING

JOHNSON SYSTEMS INC.
 1923 HIGHFIELD CRES. S.E.
 CALGARY, ALBERTA
 CANADA T2G 5M1
 (403)287-8003
 (403)287-9003 FAX

PROJECT:	PWS-70P-DMX I/O WIRING
DATE:	Feb 10, 2022
DRAWN BY:	Wentzel Dippenaar (Vince)
APPROVED BY:	Shaun Johnson
FINISH:	TBA
MATERIAL:	TBA