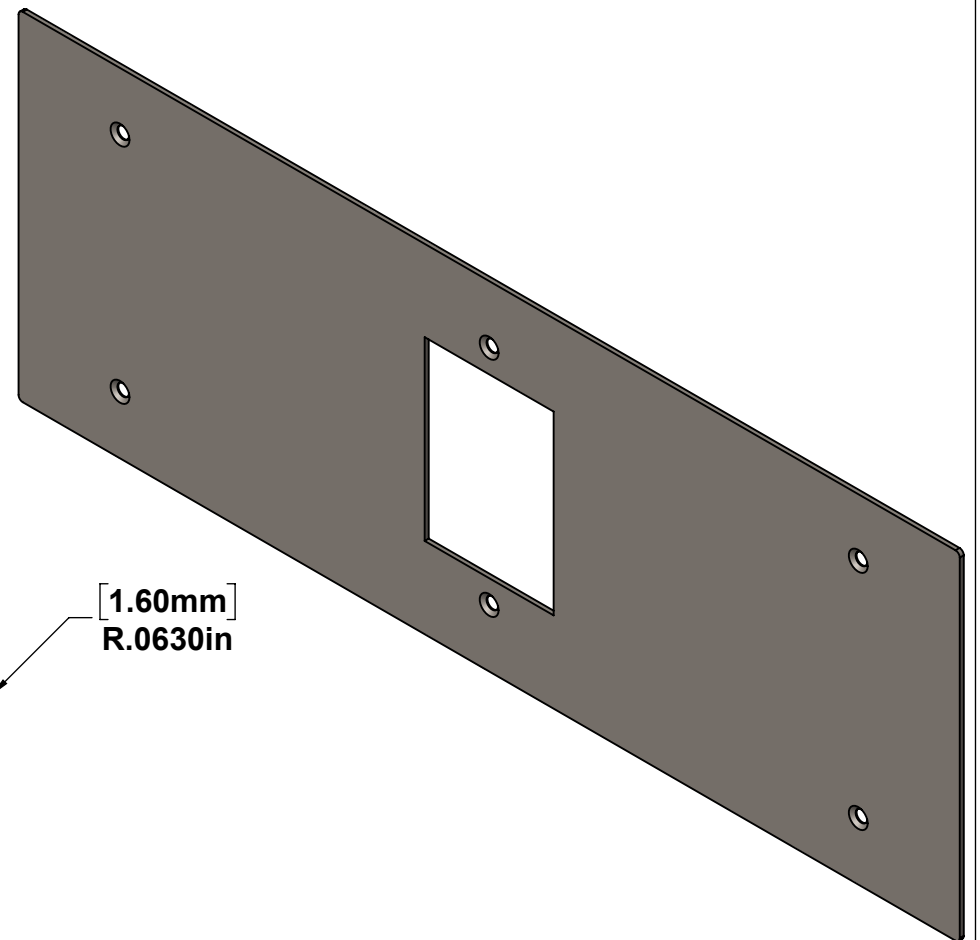
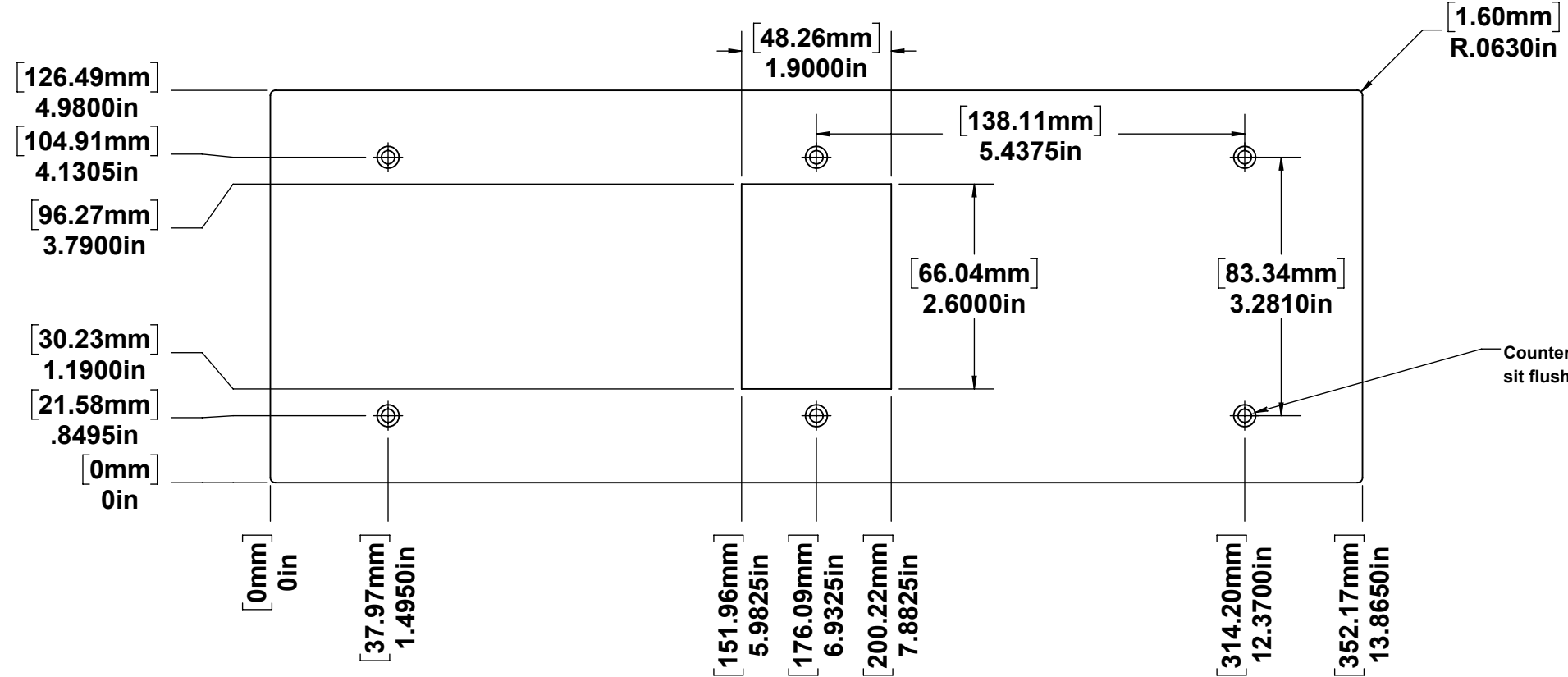
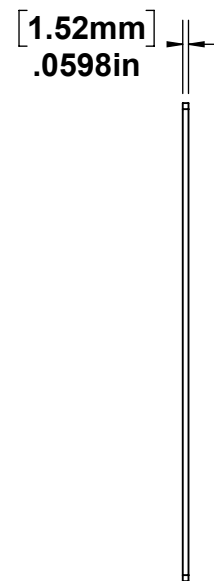


ITEM NO.	PART NUMBER	Material	Thickness	QTY.
1	PA-7A1	AISI 1020 Steel, Cold Rolled	0.0598 Inch	1

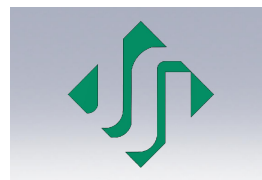


Countersink for 6-32 Flathead to sit flush or just below surface. Typ x 6

	DIMENSIONS ARE IN INCHES UNLESS OTHERWISE SPECIFIED TOLERANCES: FRACTIONAL 1/64" ANGULAR: BEND 01% THREE PLACE DECIMAL .005"	Drawn by:	Wentzel (Vince) Dippenaar
		Date:	1/24/20
		Rev:	19
		Page:	Sheet 1 of 1
		Scale:	1:2
Finish:	White or Black	THE INFORMATION CONTAINED IN THIS DRAWING IS THE SOLE PROPERTY OF JOHNSON SYSTEMS INC. ANY REPRODUCTION IN PART OR AS A WHOLE WITHOUT THE WRITTEN PERMISSION OF JOHNSON SYSTEMS INC. IS PROHIBITED.	
Note:	-		

JOHNSON SYSTEMS INC.

1923 Highfield Crescent SE.
 Calgary, Alberta
 Canada T2G 5M1
 (403) 287-8003
 (403) 287-9003 Fax



Project: PA-7A1

Note: -