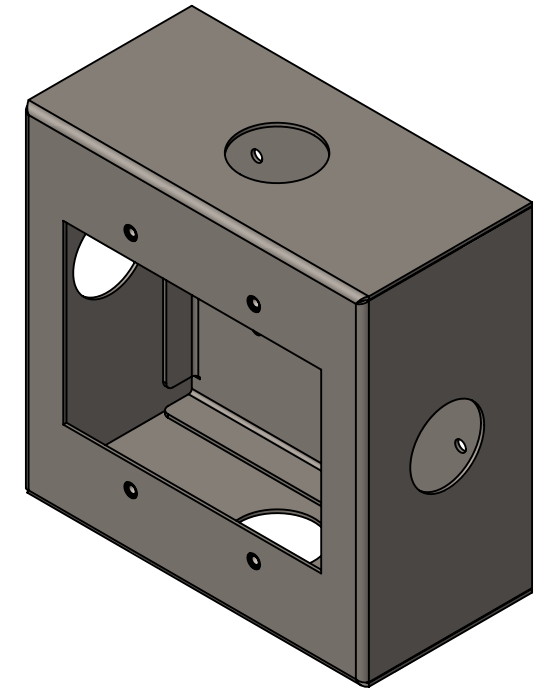
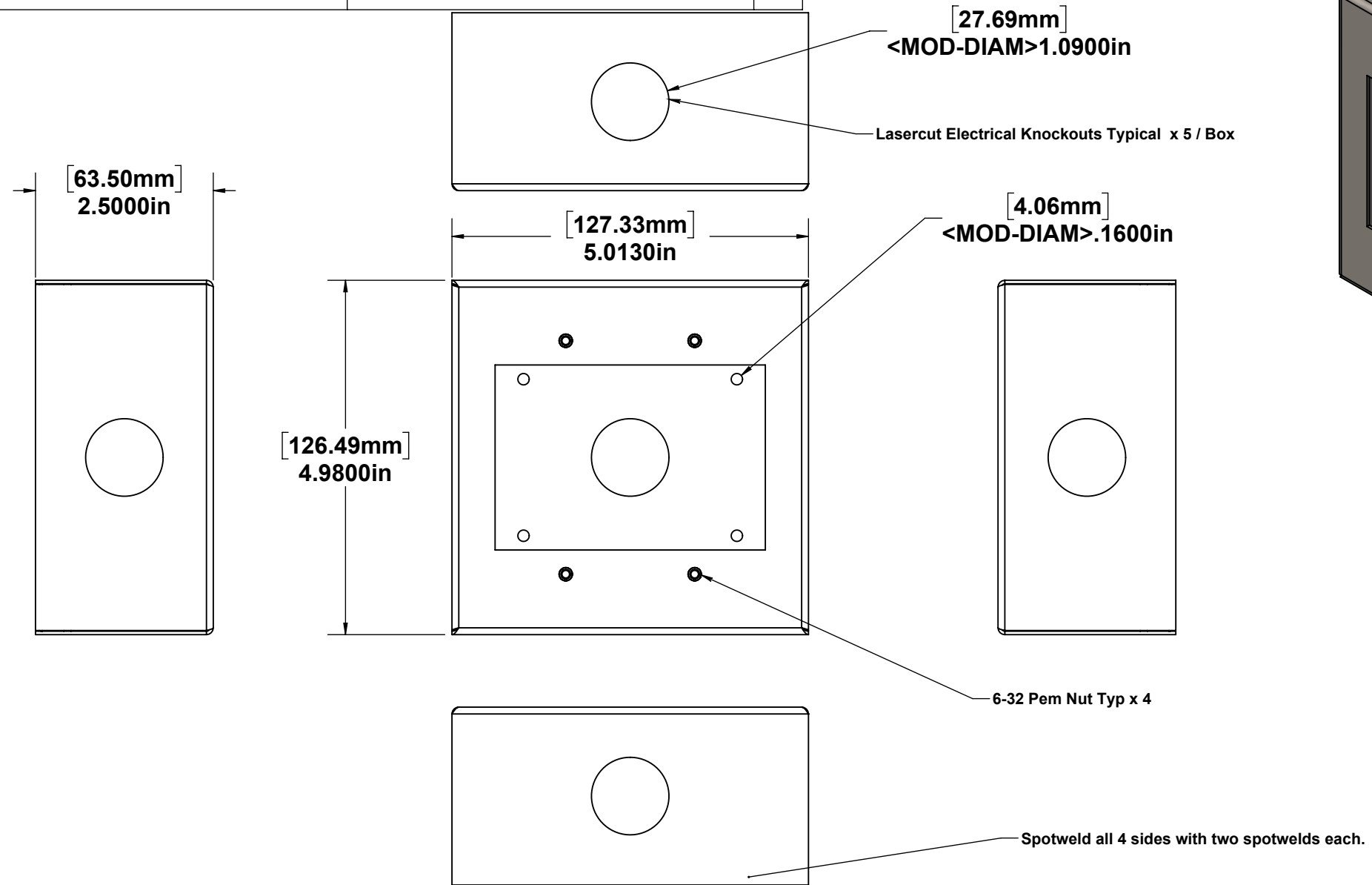
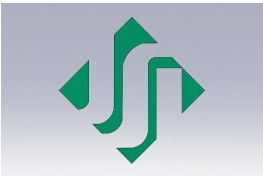


ITEM NO.	PART NUMBER	Material	Thickness	QTY.
1	Surface Mount Box Top Cover	AISI 1020 Steel, Cold Rolled	0.048 Inch	1
2	Surface Mount Box Back panel	AISI 1020 Steel, Cold Rolled	0.048 Inch	1
3	PEM CLS-632-1 ---N			4



	DIMENSIONS ARE IN INCHES UNLESS OTHERWISE SPECIFIED TOLERANCES: FRACTIONAL 1/64" ANGULAR: BEND 01% THREE PLACE DECIMAL .005"	Drawn by: Wentzel (Vince) Dippenaar	JOHNSON SYSTEMS INC. 1923 Highfield Crescent SE. Calgary, Alberta Canada T2G 5M1 (403) 287-8003 (403) 287-9003 Fax	
		Date: 1/24/20		
		Rev: 19		
		Page: Sheet 1 of 1		
		Scale: 1:2		
Finish: White or Black		THE INFORMATION CONTAINED IN THIS DRAWING IS THE SOLE PROPERTY OF JOHNSON SYSTEMS INC. ANY REPRODUCTION IN PART OR AS A WHOLE WITHOUT THE WRITTEN PERMISSION OF JOHNSON SYSTEMS INC. IS PROHIBITED.	Project: PSB-2	
Note: -			Note: -	