

PRESIDOR™

Architectural Room Linker/Combiner (PRLC-4)



Presidor™ Room Linker/Combiner (PRLC-4)

is an intelligent multi-port DMX512 merger designed as the “hub” for the Presidor™ Wall Stations (PWS). PRLC-4 will allow input streams of DMX512 data to be merged when contact inputs are “patched” to create a larger room/zone. Each PRLC-4 will support up to 4 rooms/zones of PWS wall stations (DMX512) with isolated DMX inputs and an integrated 48VDC power supply to each room/zone. Multiple PRLC-4’s (maximum 8) can be cascaded together with RJ45 connection to permit up to 25 rooms/zones of PWS controls merged into a single DMX512 output. Field connections are either via RJ45 with Cat5/5e/6 wiring or terminal block over existing Belden 9773 wiring. Four (4) programmable maintained dry-contact inputs permit PWS (Presidor™ Wall Station) linking in any possible room/zone combination. At only 1RU in height the PRLC-4 will fit in any standard 19" rack or can be supplied with a small purpose built 19" wall mount rack (PRLCR-4U)).



These products are energy efficient and consume less than 1/4 watt. Compliance with the International Energy Agency's "One Watt Initiative".

Features

- Four opto-isolated DMX512 data inputs with 48VDC power for direct connection to room/zone Presidor™ Walls Station (PWS) inputs.
- One DMX512 “merged” output.
- Field connections are via either RJ45 with Cat5/5e/6 wiring or “Phoenix style” terminal block over existing Belden 9773 wiring.
- Multiple PRLC-4’s can be cascaded together to support up to 25 rooms/zones of Presidor™ Wall Stations (PWS).
- Intuitive user interface comprising of high contrast, low power, O-LED display and navigational pod interface allows for ease of operation.
- Four programmable maintained dry-contact inputs for room linking.
- Integrated network RJ-45 connection to optional Presidor™ Remote Display Unit (RDU) via Cat5/5e/6 wiring.
- State-of-the-art high speed, low power “green” processor.
- Onboard memory dongle for easy save and restore of all programmed “room patching”.
- Face panel LED indication of individual DMX room data inputs and power.
- A 12VDC (10 Watt) supply to power industry standard auxiliary low voltage equipment.
- UL approved NEMA C-13 fused power disconnect (universal computer power receptacle) with integral illuminated power switch. Power cable included.
- Patent Pending.



JOHNSON SYSTEMS INC.

“PROFESSIONAL LIGHT CONTROL PRODUCTS”

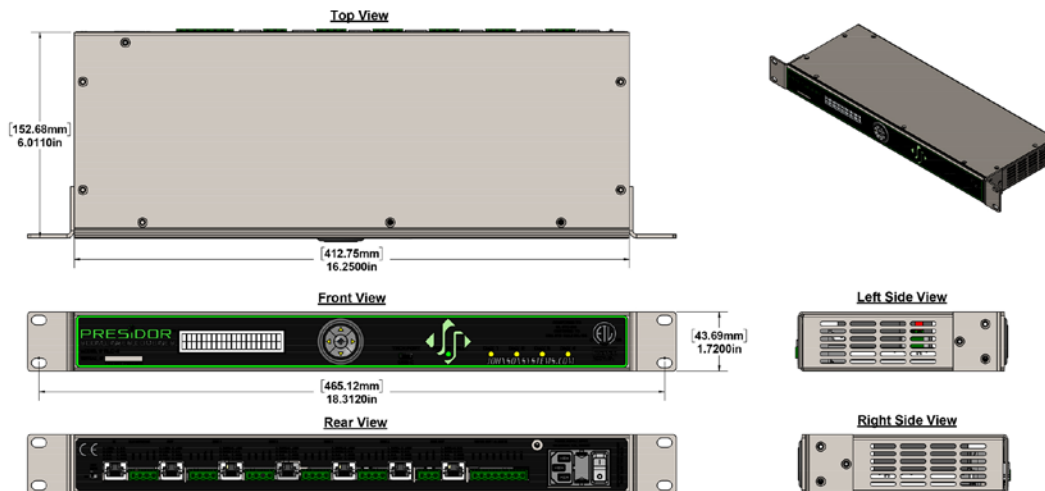
1923 Highfield Crescent S.E.
Calgary, Alberta, Canada T2G 5M1
tel: 403.287.8003
fax: 403.287.9003
e-mail: info@johnsonsystems.com
website: www.johnsonsystems.com



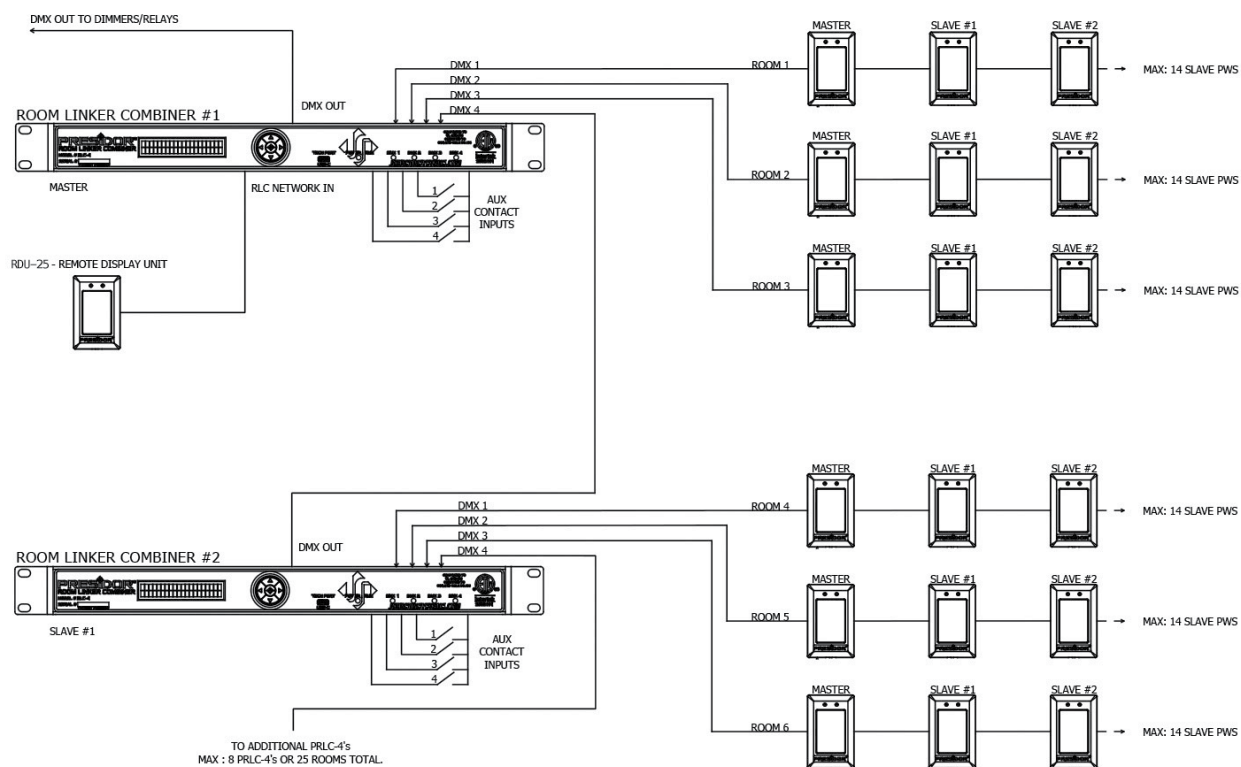
Base Specifications

- Voltage: 100 – 240VAC operational range at 50 or 60 Hz. NEMA C13 fused disconnect.
- Power Consumption: 7 Watts (idle).
- Cabling: RS485 Cat5/5e/6 cable or retrofit into existing Belden #9773 or equivalent, 300m max. (1000’).
- Operating Conditions: 0°C to 40°C (32°F to 105°F); 10-90% relative humidity, non-condensing.
- Dimensions: 18.9" W x 1.74" H x 6.6" D (480mm x 44mm x 167mm).
- Weight: 6.0 lbs. (2.7 kg) frame and mounting bracket included.

Detailed Dimensions



PRLC-4 Multi-Room/Zone Application Riser



JOHNSON SYSTEMS INC.
 "PROFESSIONAL LIGHT CONTROL PRODUCTS"

1923 Highfield Crescent S.E.
 Calgary, Alberta, Canada T2G 5M1
 tel: 403.287.8003
 fax: 403.287.9003
 e-mail: info@johnsonsystems.com
 website: www.johnsonsystems.com



PRLCR-4U with two PRLC-4's Installed



Theatrical and Architectural PWS Stations



Theatrical
PWS-70P-DMX-B



Architectural
PWS-70P-DMX-W

Ordering Information

Model	Description/Application
PRLC-4	Room Linker/Combiner, 4 x DMX inputs, DMX512 output.
PRLCR-4U	PRLC 19" Wall Rack. Supports up to 4 x PRLC-4.
PWS-RDU-25R	Remote Display Unit (Link Station) for linking up to 25 rooms.



JOHNSON SYSTEMS INC.

"PROFESSIONAL LIGHT CONTROL PRODUCTS"

1923 Highfield Crescent S.E.
Calgary, Alberta, Canada T2G 5M1
tel: 403.287.8003
fax: 403.287.9003
e-mail: info@johnsonsystems.com
website: www.johnsonsystems.com

