

# PRESIDOR™

## Wall Stations (PWS)



### DMX Snapshot and Multi-Zone Controls

#### Presidor™ Wall Stations (PWS)

Wall Stations (PWS) represent the next step in Architainment Lighting Controls. Intuitive operation is coupled with state-of-the-art capacitive touch technology permitting powerful distributed lighting controls for single or multi-room environments. Attractive 1 gang “Patent Protected” design is supported by color-matched adapter plates up to 7 gang and surface mount back boxes. Up to 70 presets on one universe of DMX512, a PWS can operate as either a DMX console or a DMX snapshot/playback device. Flexible and programmable auxiliary contact input and real-time scheduling allow for a myriad of interface possibilities with Building Management and Show Control systems. Wiring topology is fast, simple and inexpensive with standard Cat5/5e or Cat6 cabling using standard RJ-45 connectors. Daisy-chain up to 15 stations per room for multi-room environments of up to 25 rooms when used with Presidor™ Room Linker/Combiners (PRLC).

Typical applications are wide ranging from theatre house lights, moving lights, LED fixtures, churches, corporate boardrooms, hotel ballrooms, convention facilities, museums, art galleries and other DMX512 devices and facilities.



*These products are energy efficient and consume less than 1/4 watt. Compliance with the International Energy Agency's "One Watt Initiative".*

### Features

- Attractive screw-less design is ergonomic and sealed to dust.
- 70 Presets on one universe of DMX512 channels.
- 20 Preset version suitable for existing analog wiring applications.
- Operates as either a DMX console or a DMX snapshot/playback device.
- State-of-the-art high speed, low power “green” processor and ancillary circuitry with a power consumption < ¼ Watt.
- Dry contact input preset trigger.
- Dual integrated light pipes allow for both automatic proximity sense and ambient light sense.
- Embedded programming with alphanumeric preset labeling.
- Intuitive navigation allows ease of operation.
- Unique interactive real-time functionality including manually activated digital sliders.
- Password-protected access for customized security.
- Up to 15 daisy-chained stations per room/zone power and data inclusive over Cat5/5e/6 or 3-Pair cable.
- Up to 25 rooms/zones per DMX universe with the use of Presidor™ Room Linker/Combiner (PRLC).
- Small compact size permits installation in standard, readily available single gang electrical back boxes.
- Available in white or black with optional color-matched adapter plates and surface mount back boxes allow for virtually unlimited retrofit possibilities.
- Patent Protected.



**JOHNSON SYSTEMS INC.**

“PROFESSIONAL LIGHT CONTROL PRODUCTS”

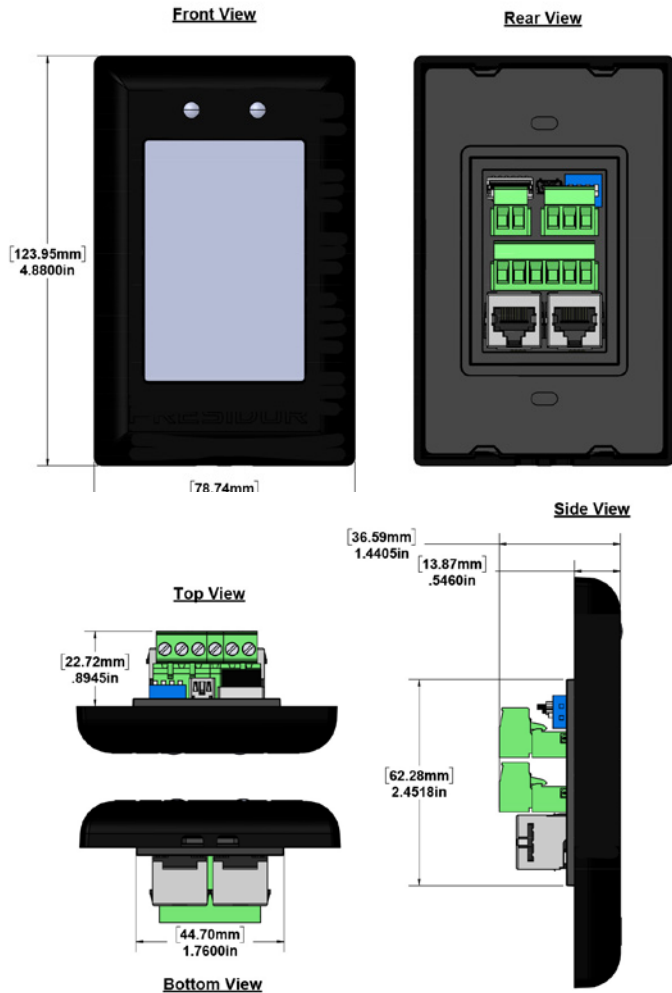
1923 Highfield Crescent S.E.  
Calgary, Alberta, Canada T2G 5M1  
tel: 403.287.8003  
fax: 403.287.9003  
e-mail: [info@johnsonsystems.com](mailto:info@johnsonsystems.com)  
website: [www.johnsonsystems.com](http://www.johnsonsystems.com)



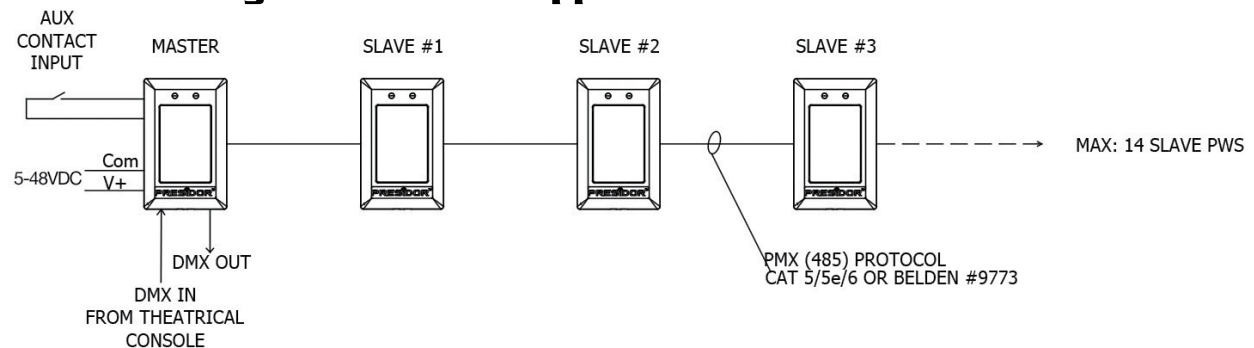
## Base Specifications

- Voltage: Model #PWS-70P-DMX; 5 - 48VDC operational range. 48VDC when used with PRLC-4 Room Linker/Combiner (48VDC supplied by PRLC-4).  
Model #PWS-20P-RETRO; 24 - 48VDC operational range. Must exceed 12VDC at last station.
- Power Consumption: < 1 Watt per station during operation and < ¼ Watt during standby mode.
- Cabling: Model #PWS-70P-DMX; RS485 Cat5/5e/6 cable (RJ-45) or retrofit into existing Belden #9773 or equivalent (terminal block), 300m max. (1000').  
Model #PWS-20P-RETRO; 3 x #22 AWG or larger wires, Typical 1000' or 300m on #18 AWG wiring.
- Operating Conditions: 0°C to 40°C (32°F to 105°F); 10-90% relative humidity, non-condensing.

## Dimensions



## PWS-70P Single Room/Zone Application Riser



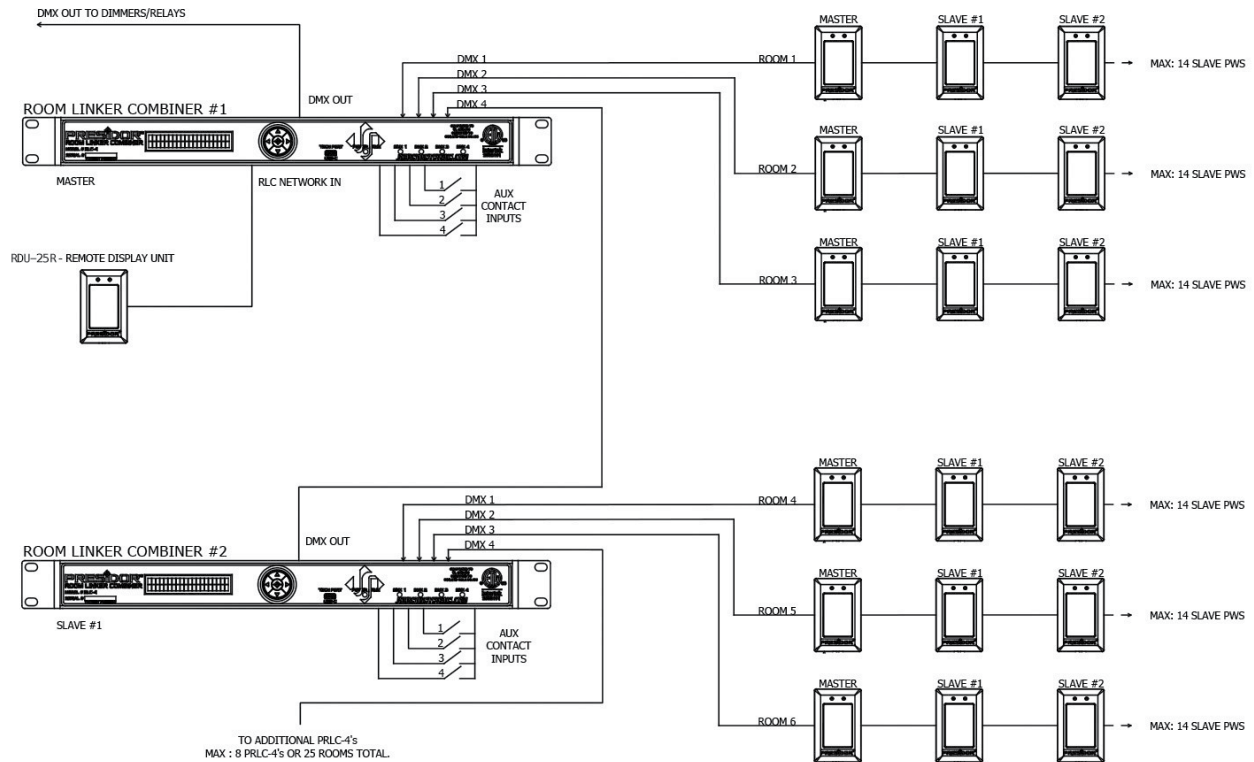
**JOHNSON SYSTEMS INC.**

"PROFESSIONAL LIGHT CONTROL PRODUCTS"

1923 Highfield Crescent S.E.  
Calgary, Alberta, Canada T2G 5M1  
tel: 403.287.8003  
fax: 403.287.9003  
e-mail: info@johnsonsystems.com  
website: www.johnsonsystems.com



# PWS Multi-Room/Zone Application Riser



## Ordering Information

### Model

PWS-70P-DMX-W  
 PWS-70P-DMX-B  
 PWS-70P-PORT-B  
 PWS-20P-RETRO-W  
 PWS-20P-RETRO-B  
 PWS-20P-PORT-B  
 PWS-DEMO-KIT  
 PWS-RDU-25R

### Description/Application

PWS, White, 70 Presets, DMX512 input and output, RS485 inter-station communication.  
 PWS, Black, 70 Presets, DMX512 input and output, RS485 inter-station communication.  
 Portable PWS, Black, 70 Presets. c/w 10' control cable, single gang plate with 10 pin XLR receptacle.  
 PWS, White, 20 Presets, DMX512 input and output, \*UBD inter-station communication.  
 PWS, Black, 20 Presets, DMX512 input and output, \*UBD inter-station communication.  
 Portable PWS, Black, 70 Presets. c/w 10' control cable, single gang plate with 10 pin XLR receptacle.  
 Portable PWS demo kit c/w two PWS-70P stations, DMX input/output receptacles and 8' power cable.  
 Remote Display Unit (Link Station) for linking up to 25 rooms.

\*Unipolar Bi-Directional (UBD) low baud rate protocol for use in Heritage Buildings using existing wiring not capable of RS485. Minimum of 3 wires and 24VDC supply required. Maximum distance dependent on wire type and gauge.

### Accessories

PWS-MOUNT-W  
 PWS-MOUNT-B

Replacement PWS Mounting Kit. 4 Piece Set, White.  
 Replacement PWS Mounting Kit. 4 Piece Set, Black.

PA-2A1-White  
 PA-2A1-Black  
 PA-2A1-DMX-White  
 PA-2A1-DMX-Black  
 PA-3A1-White  
 PA-3A1-Black  
 PA-4A1-White  
 PA-4A1-Black  
 PA-5A1-White  
 PA-5A1-Black  
 PA-6A1-White  
 PA-6A1-Black  
 PA-7A1-White  
 PA-7A1-Black

2 gang to 1 gang Adapter Plate.  
 2 gang to 1 gang Adapter Plate.  
 2 gang to 1 gang Adapter Plate c/w 5 pin XLR DMX Input.  
 2 gang to 1 gang Adapter Plate c/w 5 pin XLR DMX Input.  
 3 gang to 1 gang Adapter Plate.  
 3 gang to 1 gang Adapter Plate.  
 4 gang to 1 gang Adapter Plate.  
 4 gang to 1 gang Adapter Plate.  
 5 gang to 1 gang Adapter Plate.  
 5 gang to 1 gang Adapter Plate.  
 6 gang to 1 gang Adapter Plate.  
 6 gang to 1 gang Adapter Plate.  
 7 gang to 1 gang Adapter Plate.  
 7 gang to 1 gang Adapter Plate.

PSB-1-White  
 PSB-1-Black  
 PSB-2-White  
 PSB-2-Black

1 gang Surface Box.  
 1 gang Surface Box.  
 2 gang Surface Box.  
 2 gang Surface Box.



PWS-70P-PORT-B  
 Portable PWS, Black,  
 70 Presets. c/w 10'  
 control cable, single  
 gang plate with  
 10 pin XLR  
 receptacle.



**JOHNSON SYSTEMS INC.**

"PROFESSIONAL LIGHT CONTROL PRODUCTS"

1923 Highfield Crescent S.E.  
 Calgary, Alberta, Canada T2G 5M1  
 tel: 403.287.8003  
 fax: 403.287.9003  
 e-mail: info@johnsonsystems.com  
 website: www.johnsonsystems.com

